

Specification

LT-AL3030-R Circular office chandelier





2200 K 2800 K 3200 K 4400 K

▼ Features

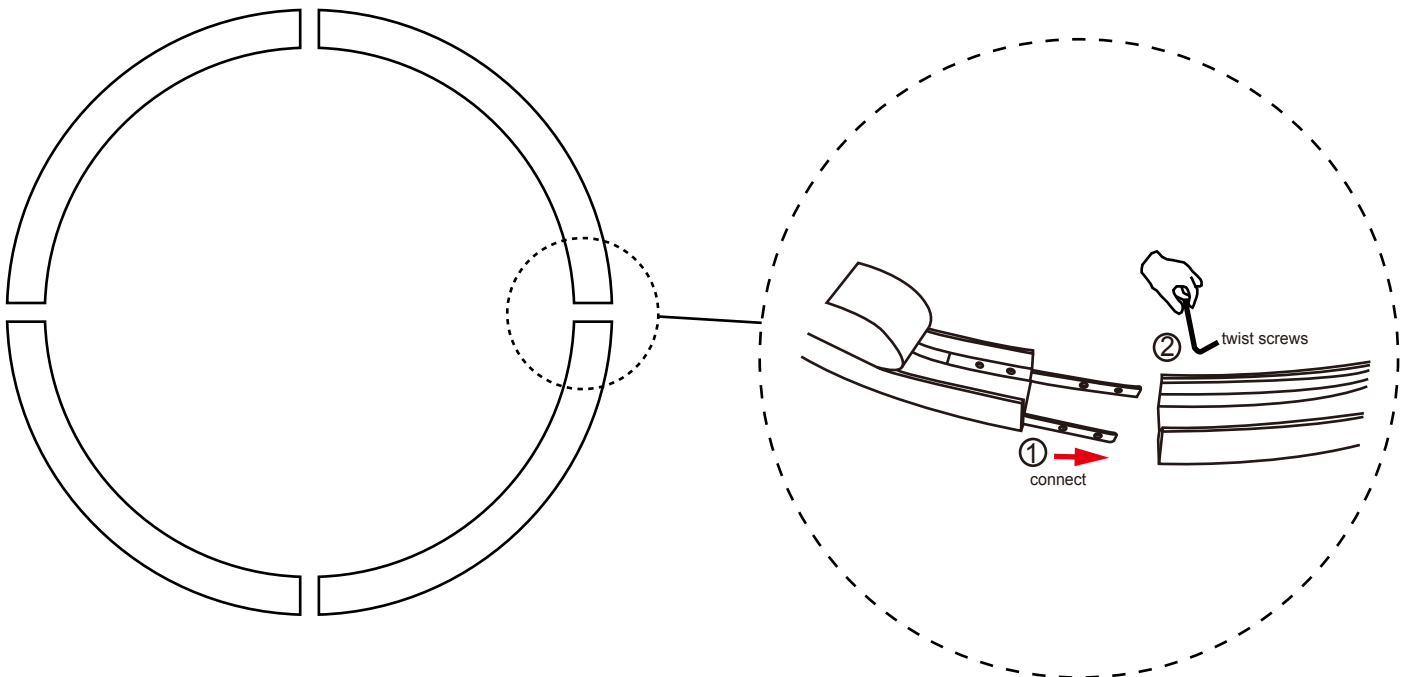
- Ultra-free application, through the free size arcs, to create different shapes.
- The use of silicone flexible mesk, easy installation, soft lighting no dot.
- Al6063-T5 aluminum profile, high quality surface, black painting.
- A variety of mounting options are available: pendant, surface mounted.

▼ Application

- ※ home lighting
- ※ Office lighting
- ※ Architectural contour lighting

▼ Structre Chart

one lamp made up by three or four single parts as below.
each parts connected by iron connectors and DC cables.



▼ Basic Parameters

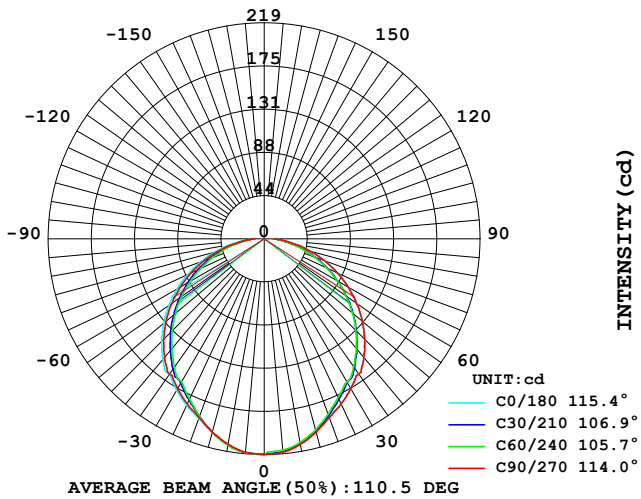
ItemNo.	Diameter(mm)	Perimeter(mm)	Power(W)	Assembly parts(pcs)	Surface color
1	2000	6280	100	3	black
2	2200	6908	110	3	black
3	2400	7536	120	3	black
4	2500	7850	120	3	black
5	3000	9420	150	4	black
6	3900	12246	190	4	black
7	4300	13502	210	4	black
8	4600	14444	220	4	black

Note :

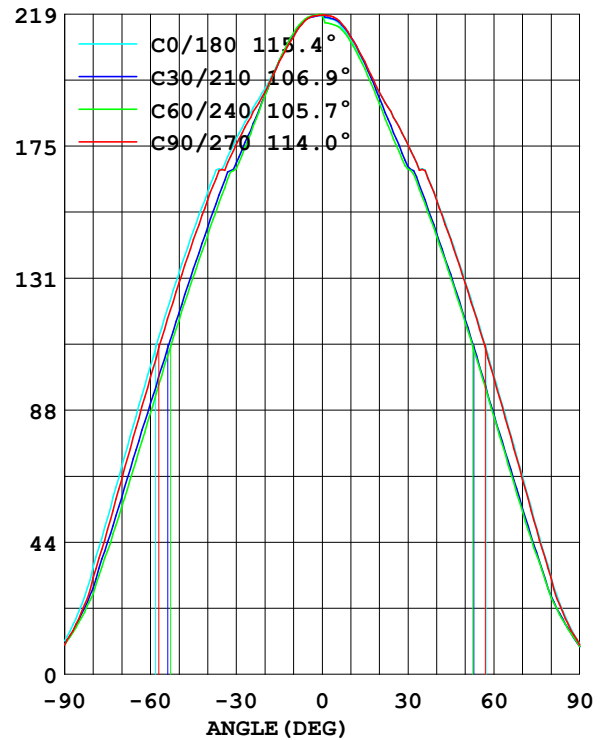
- 1、 The above data is the testing result of 1M standard product;
- 2、 The power and lumens of output data can be vary up to $\pm 10\%$;
- 3、 The above parameters are all typical values;

▼ Light Distribution

LUMINOUS INTENSITY DISTRIBUTION



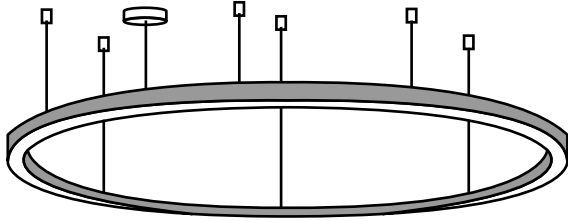
LUMINOUS INTENSITY DISTRIBUTION



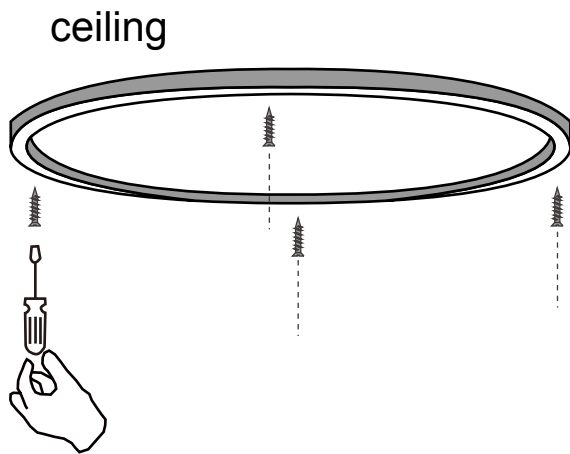
Note: The above data is the testing result of CCT 4000K, if there is need for the IES files of other colors, please download the specific file through the IES data bank.

▼ Installation

1.pendant



2.surface mounted



a.with screws mounted the lighting to the ceiling

b.cover the silicone cover carefully