

0/1-10V and PWM Dimmer Manual

PE388RI (Knob panel+ IR remote control)



Product Feature:

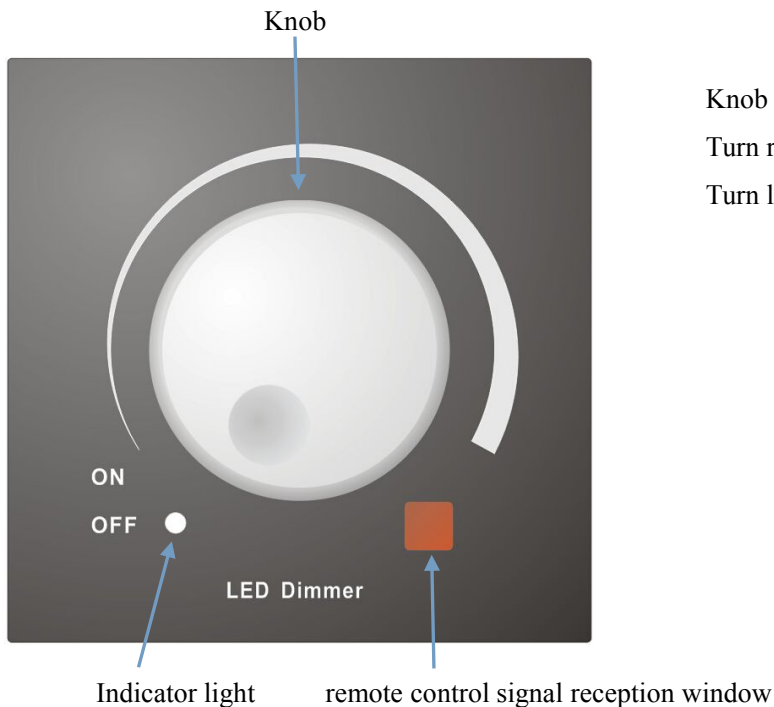
- 0-10V, 1-10V, PWM signal output
- Can match with all 1-10V or 0-10V dimmable led driver on the market
- Glass panel, high-grade
- standard 86 installation structure, suitable for flush mounting and on wall mounting
- 255 level brightness control
- brightness fast selection
- Four kinds of DIY scene mode and many humanized design
- 30 seconds delay turn off function

Please read this manual carefully before use this product

Parameters:

Dimming way:		0-10V, 1-10V, PWM
Drive Type:	0-10V:	Operational amplifier output, can absorbed current and output current Load quantity: within 10 pieces Matched led driver: 0-10V or 1-10V dimmable led driver
	PWM 10V:	NPN transistor drive output, only absorb current ,not output current. Load quantity: within 30 pieces. Matched led driver: 1-10V dimmable led driver
	PWM 5V:	SCM direct IO port output, suitable for special control circuit
Remote Control:		Infrared Remote Control
Panel Control:		Knob Dimmer
InputVoltage(AC)		90-265V
Steps:		255 steps
Remote control Mode:		PE-IR12
Remote control distance:		>8 meter
Remote control battery:		AAA 2 batteries
Product Dimensions L*W (mm)		85*85mm
Package Dimensions L*W*H (mm)		100*92*62

Panel description:



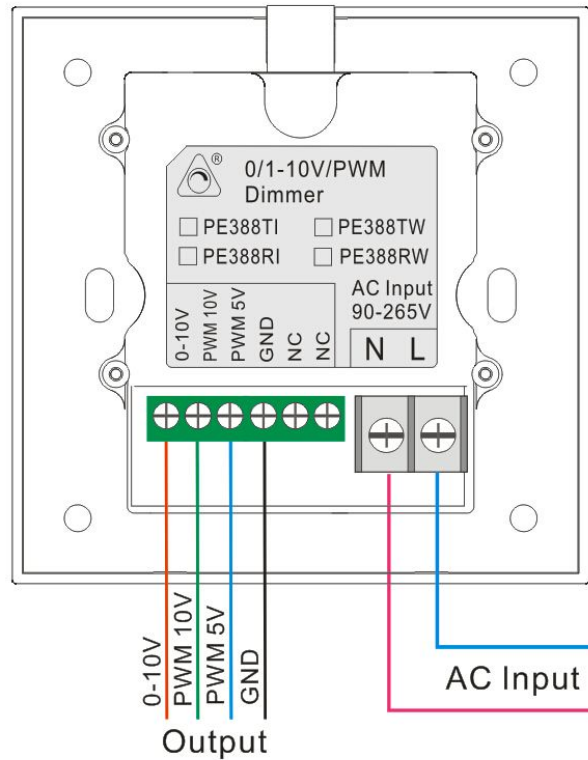
Knob turn left: brightness reduce:
Turn right: brightness increase
Turn left to OFF position, turn off

Indicator light:

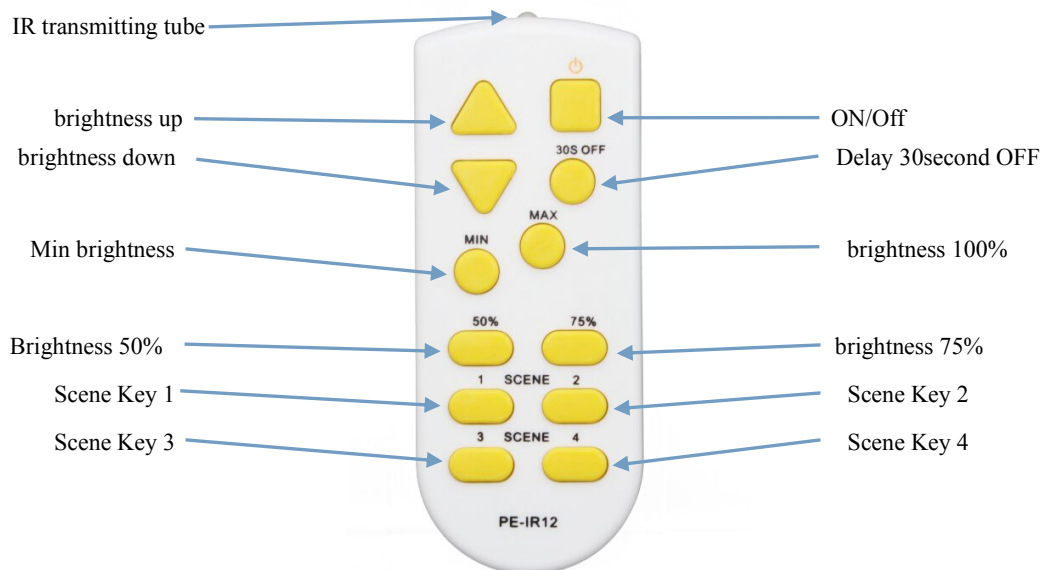
The light is normally on when turn off. The indicator light is off when turn on. The indicator light will flashing lights when dimming.

the indicator light will normally on a second when adjusting to the max or min.

Interface definition:



IR remote control functional specification:

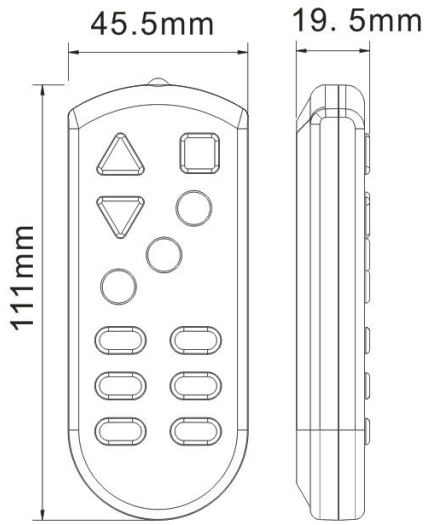


Custom the brightness of scene key:

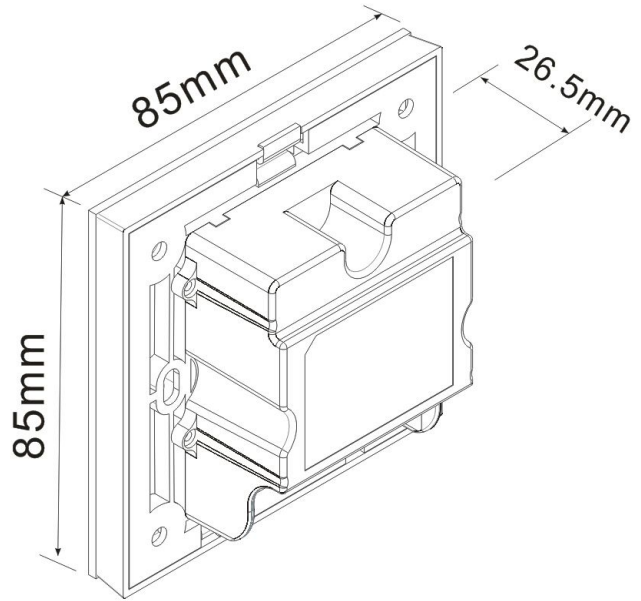
Signal press the scene key less than 3s, then you will bring up the brightness of this scene key

Press the scene key more than 3s, the indicator light is normally on , remember the current brightness to corresponding scene key

Dimension figure:



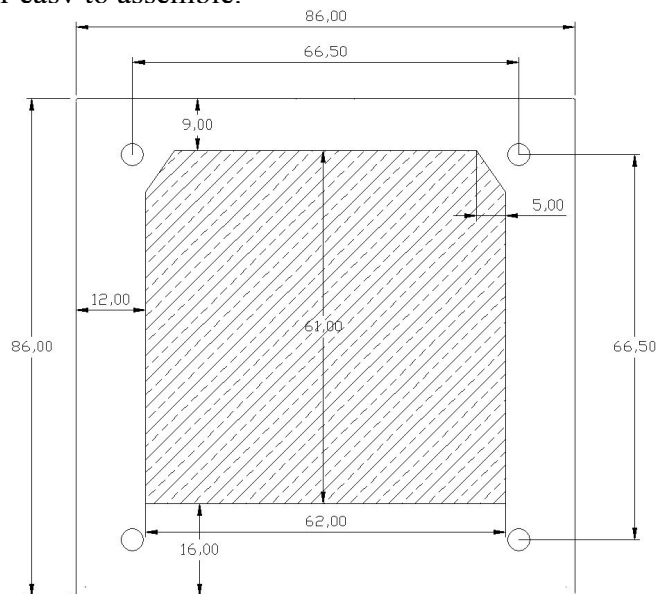
Remote control



Dimmer panel

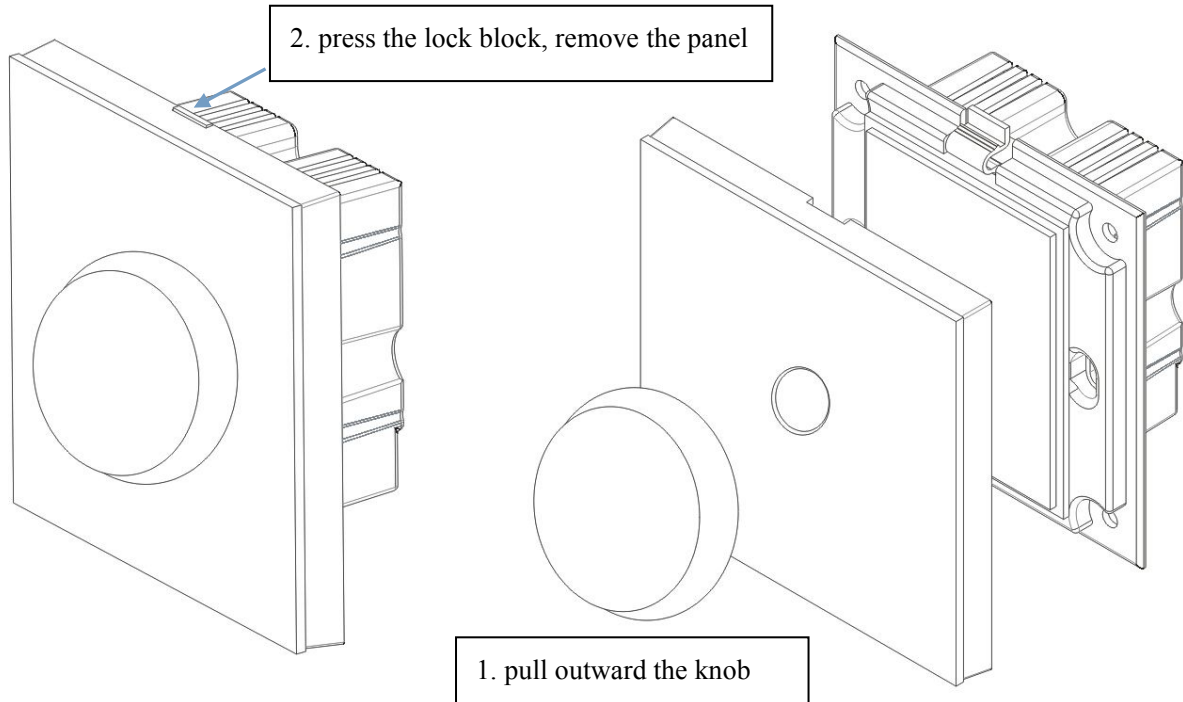
Hole size:

The dimmer is standard 86 installation structure, can install on the bottom case of flush mounting or wall mounting, if user have not bottom case need to trepanning, please trepanning according to below size for easy to assemble.



Product installation method:

Pull outward knob, remove the knob, use hand holding the top of the lock block, remove the front panel; connect the wiring according to wiring diagram, then installing the host body with screw on the wall or in the bottom case, cover the shell, hold back the knob, the installation is complete.



Installation notes:

1. 0-10V output wiring can't short circuit

2. please kindly contact with us if you have any inquiry or questions, we will try our best to assist your company to solve your problem