

DALI Touch Panel Series

——DAP-G1

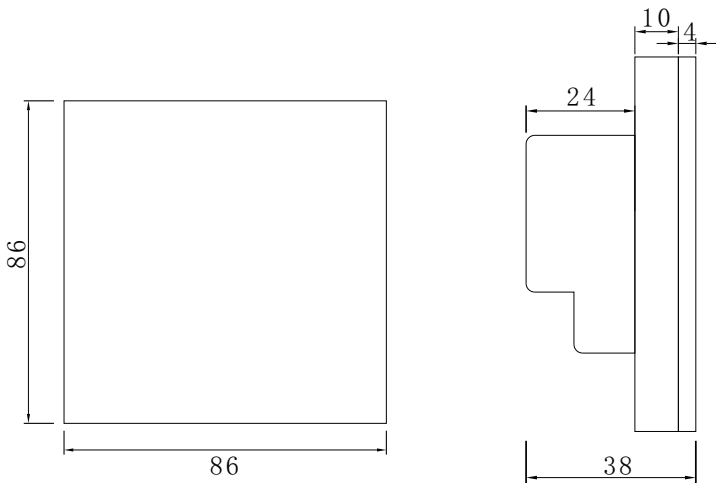


DAP-G1

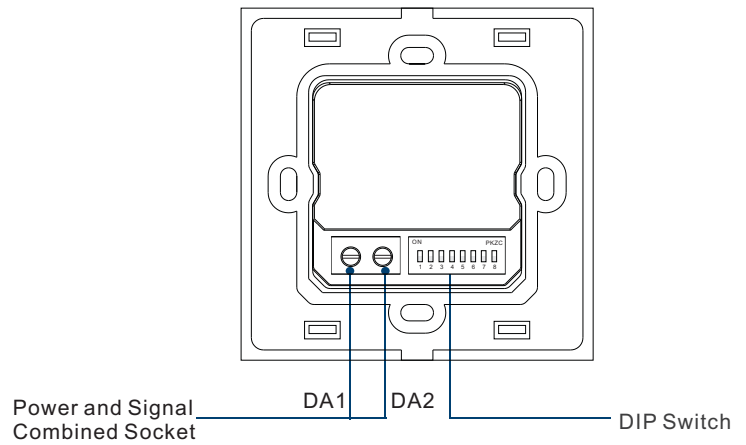
1. Technical Parameters:

- Power Supply : Provided by DALI Bus
- Output Signal: DALI Signal
- Static power: <math>< 0.5\text{W}</math>
- Current Consumption: $25\text{mA} \pm 10\%$
- Output channel: 1 channel
- Product dimension: $L86*W86*H38\text{mm}$
- Packing size: $L116*W110*H51.5\text{mm}$
- Working temperature: $-20^{\circ}\text{C} - 60^{\circ}\text{C}$
- Net weight: 170g
- Gross weight: 228g

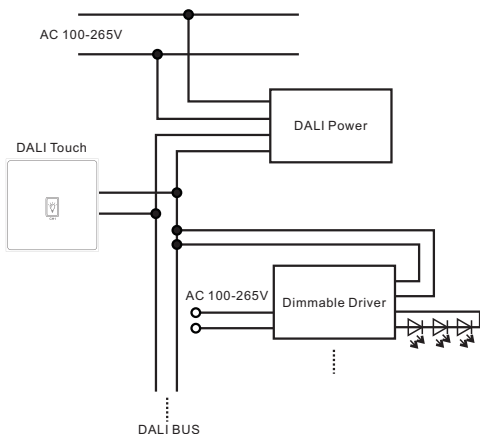
2. Product Size



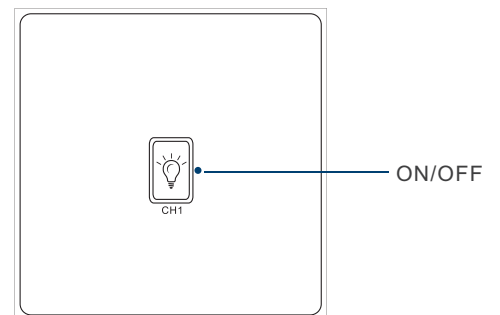
3. Function Description:



4. Typical Application:



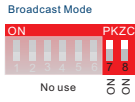
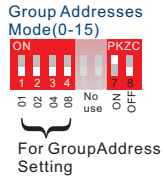
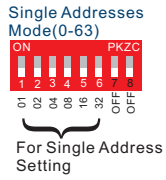
5. Interface Introduction



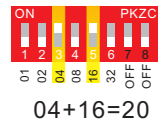
- Short press to turn on/off the controller.
- Long press to adjust brightness.

6.DIP Switch Operation

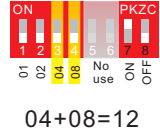
- Via dip switch, you can set 64 single addresses(0-63) 16 group addresses(0-15),and broadcast address.
- Total address value=the sum of the dip switch value
To get the place value when in “on” position,otherwise will be 0.



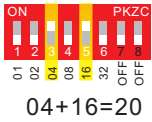
E.g.1:Set initial address to 20 in Single Address Mode.



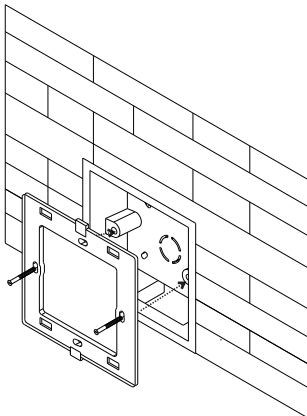
E.g.2:Set initial address to 12 in Group Address Mode.



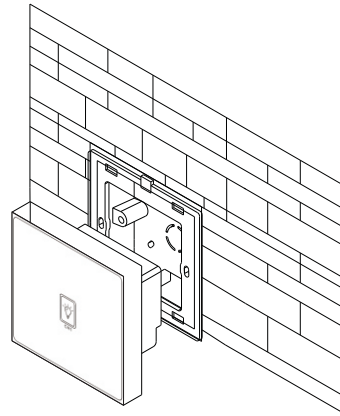
E.g.1:Set initial address to 20 in Single Address Mode.



7.Installation Instruction:



- To lock the bottom case on the wall and fix it with the screwdriver.



- To buckle the 0/1-10V controlle to the bottom case.

