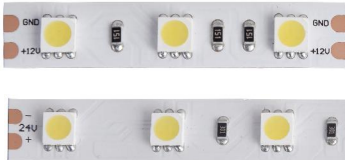
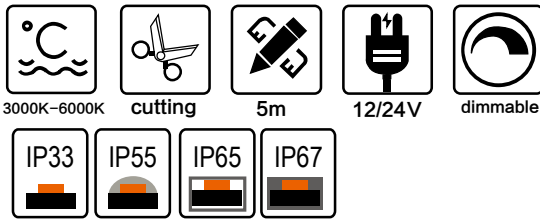
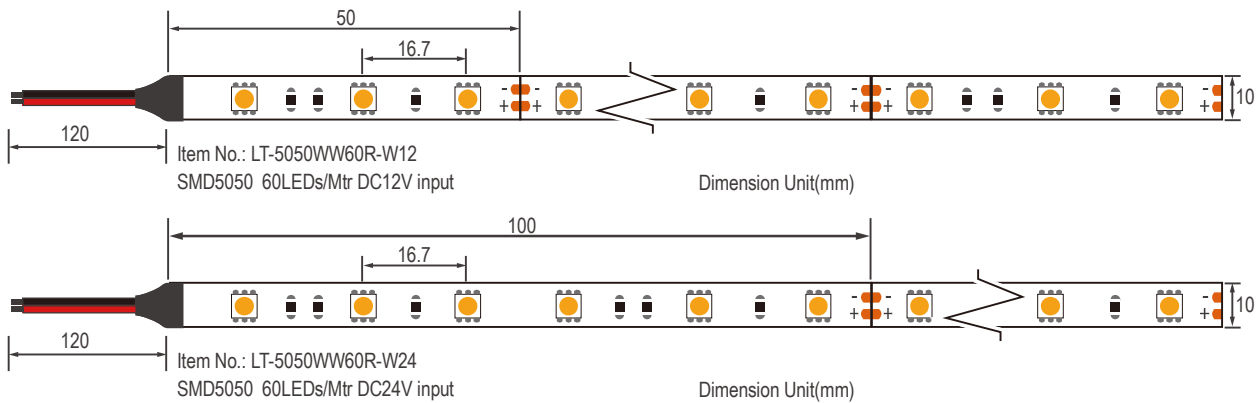


Model No.:LT-5050WW60R-W12/24



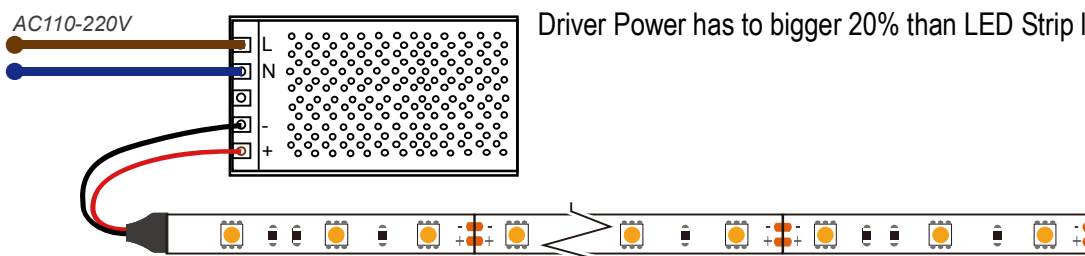
Product Size



Specification

Light Source:	SMD5050
Number of LEDs:	60 LED/M
Voltage(V):	DC12V & DC24V
Power Consumption(W):	14.4W/M
Color Temperature(K):	2400K-6000K
CRI/Ra:	80
Dimension(mm):	L5000*W10*H2mm-(No-waterproof)
Minimum Cut Length(mm):	50mm(12V) 100mm(24V)
Lumen output(lm/m):	1080-1200lm/mtr
Package:	5meter/roll

Installation instruction



Driver Power has to bigger 20% than LED Strip light consumption.