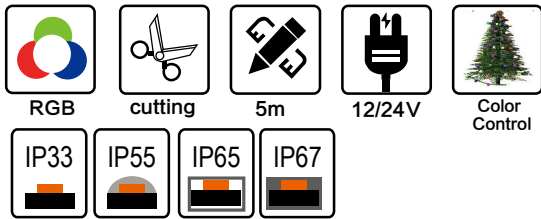
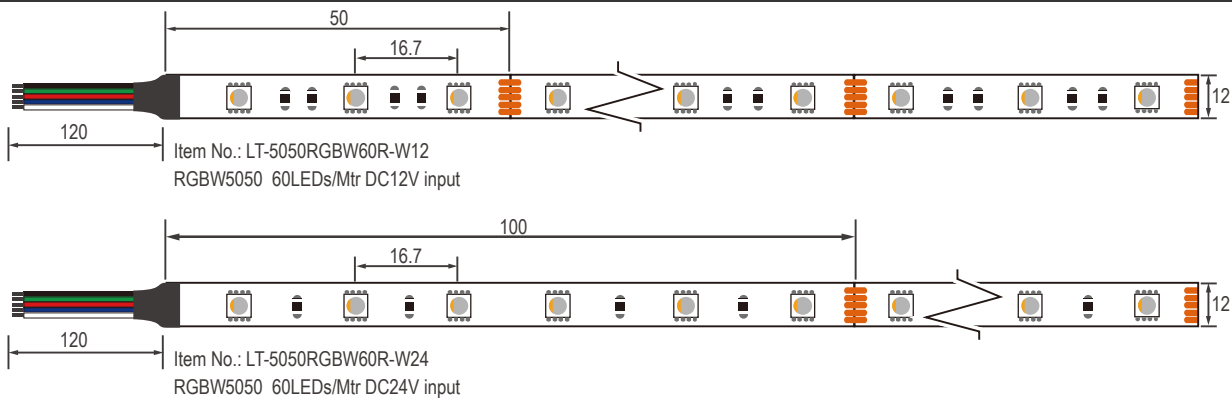


Model No.:LT-5050RGBW60R-W12/24



Product Size Dimension Unit(mm)



Specification

Light Source:	SMD5050 RGBW
Number of LEDs:	60 LED/M
Voltage(V):	DC12V & DC24V
Power Consumption(W):	19.2W/M
Color Temperature(K):	3000K/4000K/6000K(for white color)
CRI/Ra:	80
Dimension(mm):	L5000*W12*H2mm-(No-waterproof)
Minimum Cut Lenght(mm):	100mm(24V), 50mm(12V)
Lumen output(lm/w):	700-1100lm
Package:	5meter/roll

Installation instruction

