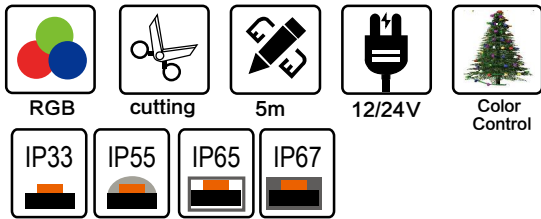
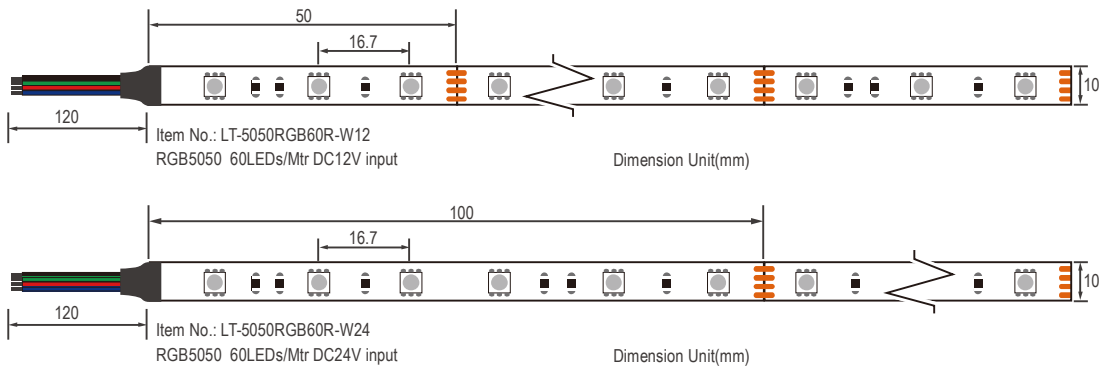


# Model No.:LT-5050RGB60R-W12/24



## Product Size



## Specification

Light Source:	SMD5050 RGB
Number of LEDs:	60 LED/M
Voltage(V):	DC12V & DC24V
Power Consumption(W):	14.4W/M
Color Temperature(K):	R(618-625nm), G(520-525nm), B(460-465nm)
CRI/Ra:	NG
Dimension(mm):	L5000*W10*H2mm-(No-waterproof)
Minimum Cut Length(mm):	100mm(24V), 50mm(12V)
Lumen output(cd):	R(170-280cd), G(400-900cd),B(70--130cd)---1pcs led chips
Package:	5meter/roll

## Installation instruction

