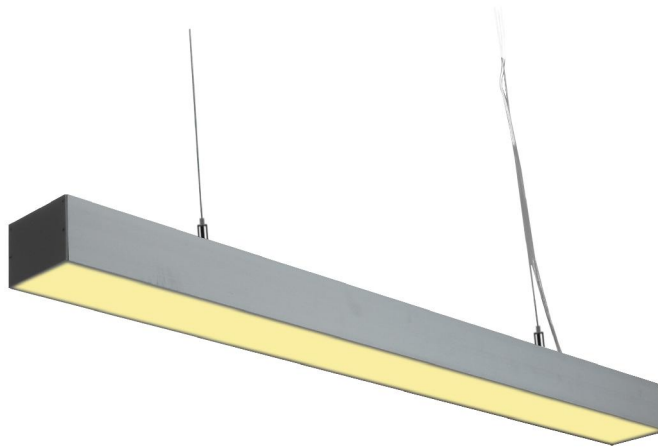


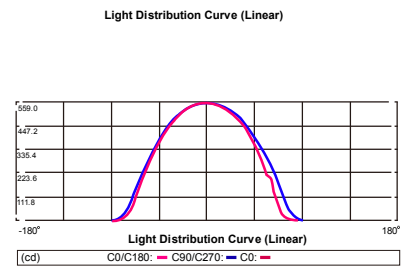
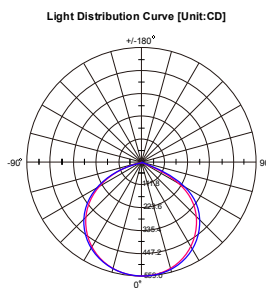
Model No.: LT-10075



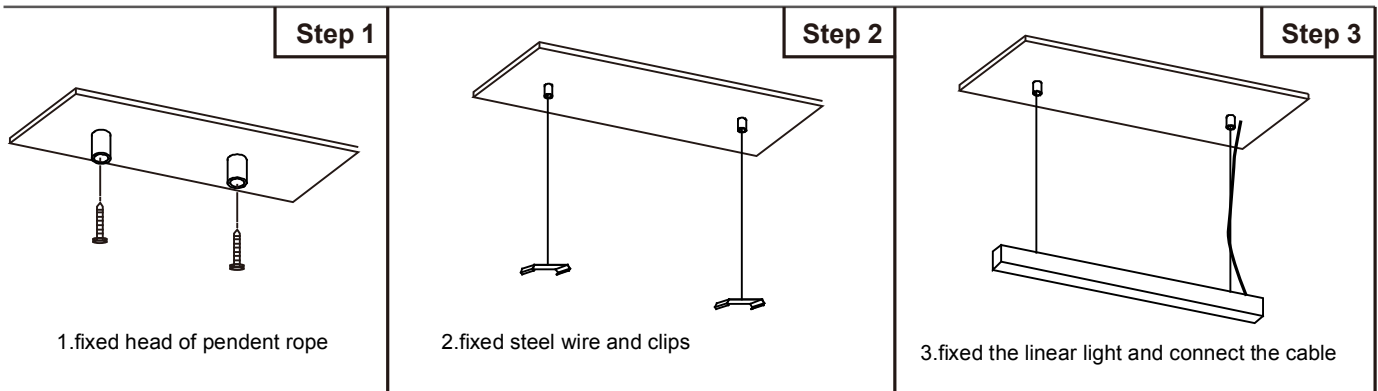
Technical Data

Model No.	LED Type	Length(mm)	Power(W) ±10%	Lumen(lm) ±10%	CCT	CRI/Ra	Beam angle	Input Voltage(V)	PF
LT-10075-60	2835	600	18	1476	2700K 3000K 4000K 6000K	80/90	110°	AC100-240V,50/60Hz	>0.9
LT-10075-120		1200	36	2988					
LT-10075-180		1800	54	4536					
LT-10075-240		2400	72	5904					

Product Size



Suspending Installation Diagram



1. fixed head of pendent rope

2. fixed steel wire and clips

3. fixed the linear light and connect the cable